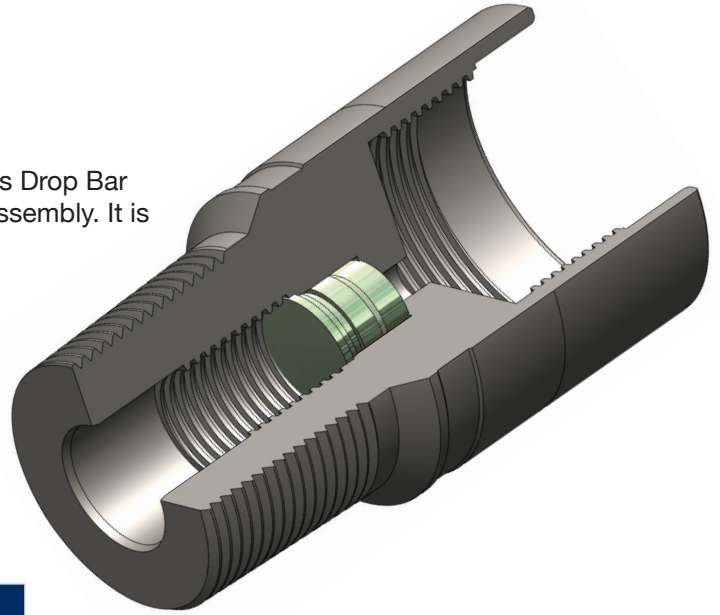


The firing body securely contains the percussion initiator and connects Drop Bar Hydrostatic and Direct Pressure Firing Heads to the perforating gun assembly. It is also the main connection to the tubing string.

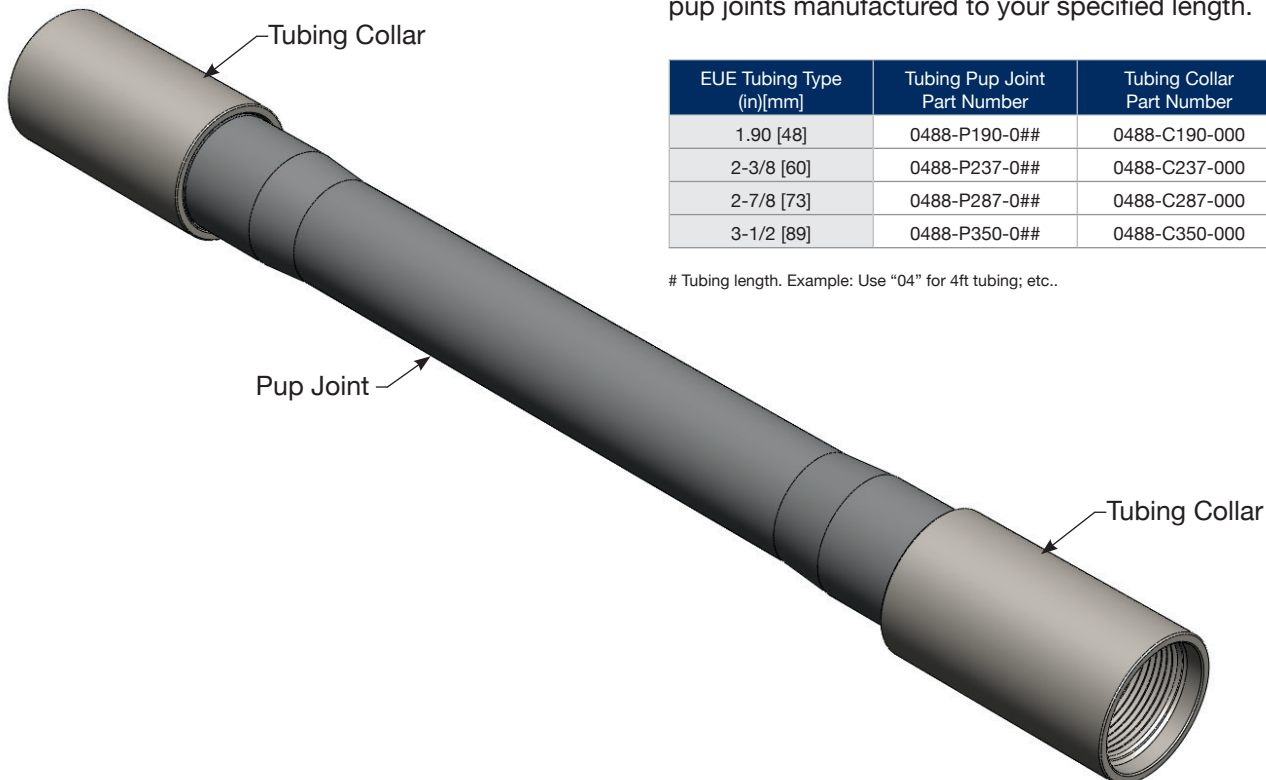
1-3/8in (35mm) and 1-9/16in (40mm) firing bodies can only be used with Direct Pressure Firing Head FHPA-1375-000T (or modified FHPA-1375-000 with 1.315" NUE top connection).

Percussion initiators are sold separately.



O.D. (in)[mm]	Firing Body Part number	Upper Connection	Lower Connection
1-3/8 [35]	FBDY-1375-118B	1-3/16" - 12 Stub Acme Box	1-1/8" - 12 Stub Acme Box
1-9/16 [40]	FBDY-1562-118B	1-3/16" - 12 Stub Acme Box	1-9/32" - 12 Stub Acme Box
2-1/2 [64]	FBDY-2500-190P	1.90" EUE	2-1/8" - 8 Acme Box
3-1/8 [79]	FBDY-3125-238P	2-3/8" EUE	2-3/4" - 6 Acme Box
3-5/8 [93]	FBDY-3670-288P	2-7/8" EUE	2-3/4" - 6 Acme Box

Tubing pup joints are used to house the Drop Bar Hydrostatic and Direct Pressure Firing Heads. They are standard API N-80 grade pup joints manufactured to your specified length.



EUE Tubing Type (in)[mm]	Tubing Pup Joint Part Number	Tubing Collar Part Number
1.90 [48]	0488-P190-0##	0488-C190-000
2-3/8 [60]	0488-P237-0##	0488-C237-000
2-7/8 [73]	0488-P287-0##	0488-C287-000
3-1/2 [89]	0488-P350-0##	0488-C350-000

Tubing length. Example: Use "04" for 4ft tubing; etc..