

## APPLICATIONS

- Cased hole wireline support
- Perforating
- Production logging
- Wireline steering tool services



## FEATURES

- Compatible with all types of armored wireline cable
- Built in weak point and standard slickline fishing head
- High current tractor conversion kits available
- H<sub>2</sub>S resistant models available
- Can be manufactured for 500°F (260°C) operations upon request
- Customization available for specific requirements

Cable heads play a vital role in all logging and perforating operations as they provide mechanical and electrical connections between the wireline cable and tool string. A weak point inside the cable head bears the entire load of the tool string weight.

Hunting's cable heads are constructed of high quality, high strength steel (H<sub>2</sub>S resistant upon request) ensuring mechanical durability. The electric bulkhead protects the electrical connections from all types of corrosive wellbore fluids. Contact assemblies can be changed out for high power loads demanded by tractor operations. Cable mechanical integrity is guaranteed by the high quality weak point incorporated inside the head ensuring clean release of a stuck tool string. Standard slickline fishing heads built into Hunting's cable heads allow for quick and easy fishing operations.

## BENEFITS

- Interchangeable parts allow multiple use with different types of cable
- Reduced operating costs

A four piece logging head can be ordered upon request that allows the attachment of standard weight bars into the logging head.

## HARDWARE SPECIFICATIONS

O.D. (in)[mm]	Type	Max. Temp.† (°F)[°C]	Max. Pressure (psi)[MPa]	Length (in)[mm]	Weight (lbm)[kg]	Max. Voltage (VDC)	Max. Current (mA)	Max. Tension (lbf)[kN]	Thread
1 [25]	Clamp Ring Type	400 [204]	20,000 [138]	11.3 [287]	1.9 [0.9]	600	2,000	24,000 [107]	13/16"-16 GO Pin
1-7/16 [37]	Cone Type II	400 [204]	20,000 [138]	12.4 [315]	3.6 [1.6]	600	2,000‡	42,000 [187]	1-3/16"-12 GO Pin
1-11/16 [43]	Cone Type II	400 [204]	20,000 [138]	12.4 [315]	5.4 [2.4]	600	2,000‡	42,000 [187]	1-3/16"-12 GO Pin

† Viton O-rings need to be used above 325°F (163°C)

‡ Max. current 6,000mA when using high amp contact kit

## ASSEMBLY PART NUMBERS

The following table lists the assembly part numbers of electrical cable heads that are compatible with the most common electric wireline diameters. Contact your local Hunting representative for the availability of cable heads not listed.

O.D. (in)[mm]	Type	Contact Kit	Electric Wireline Diameter (in)[mm]				
			7/32 [6]	0.288 [7]	5/16 [8]	15/32 [12]	0.474 [12]
1 [25]	Clamp Ring	3901-000-002	3910-*22-030 <sup>§</sup> 3910-*22-035 <sup>‡</sup>	3910-*28-040	3910-*31-043	-	-
1-7/16 [37]	Cone Type II	3903-000-^02	3916-*22-030-### <sup>§</sup> 3916-*22-035-### <sup>‡</sup>	3916-*28-040-##	3916-*31-043-##	3916-*47-049-##	3916-*474-065-##
	4 Piece Cone Type II <sup>†</sup>		3946-*22-030-### <sup>§</sup> 3946-*22-035-### <sup>‡</sup>	3946-*28-040-##	3946-*31-043-##	3946-*47-049-##	3946-*474-065-##
1-11/16 [43]	Cone Type II	3903-000-^02	5916-*22-030-### <sup>§</sup> 5916-*22-035-### <sup>‡</sup>	5916-*28-040-##	5916-*31-043-##	5916-*47-049-##	5916-*474-065-##
	4 Piece Cone Type II <sup>†</sup>		5946-*22-030-### <sup>§</sup> 5946-*22-035-### <sup>‡</sup>	5946-*28-040-##	5946-*31-043-##	5946-*47-049-##	5946-*474-065-##

\* Use "0" for standard service; "1" for inclusion of grease injection port; "N" for H<sub>2</sub>S service

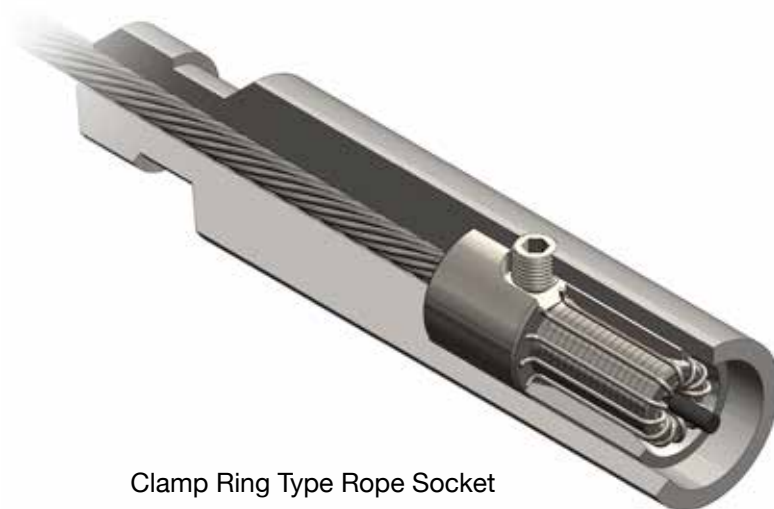
^ Use "0" for standard service; "5" for high-amp - ideal for tractor operations

## Use "HA" for high-amp - ideal for tractor operations

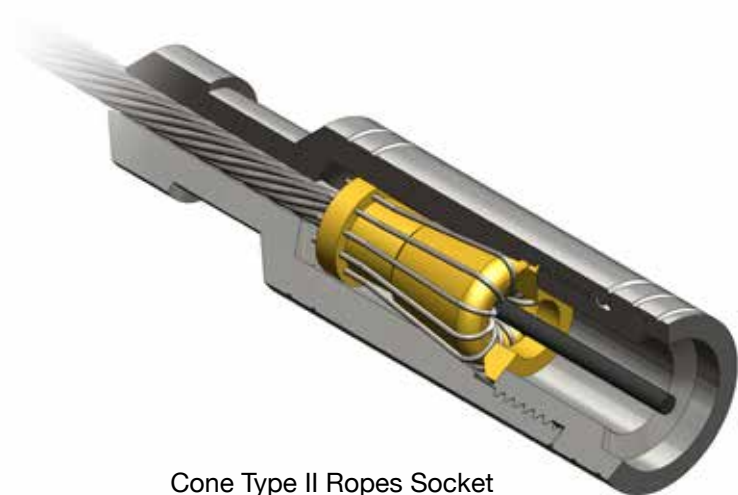
† Weight bars need to be ordered separately

§ 0.030" strand diameter

‡ 0.035" strand diameter



Clamp Ring Type Rope Socket



Cone Type II Ropes Socket

## ACCESSORIES

Contact kits are available to make repair and maintenance of your cable heads rapid and simple. Hunting also supplies contact kits for electrical cable heads that are compatible for tractor operations which require high power loads for long periods of time. They are tested to 600V and 6,000mA.



Cable Head Size (in)[mm]	Conventional Contact Kit	Tractor Contact Kit
1 [25]	3901-000-002	-
1-7/16 [37]	3903-000-002	3903-000-502
1-11/16 [43]	3903-000-002	3903-000-502

Correct weak point construction is critical to perform any wireline operation safely. The rope socket alignment tool ensures correct position and alignment of the clamp ring over the rope socket inside the cable head.



Cable Head Size (in)[mm]	Part Number
1 [25]	3910-000-005
1-7/16 [37]	3914-000-005
1-11/16 [43]	3914-000-005

Protect your wireline cable from damage during rig-up and rig-down operations by using a gooseneck. Hunting's goosenecks are specifically designed to fit all cable heads and provide the optimal radius to eliminate cable deformation while maintaining an easy to use compact size.

**Part Number: 1051-GNK-050**



The 2" (51 mm) fishing neck assembly can be easily slid over any 1-7/16" (37 mm) logging head. This provides a large smooth surface for fishing grapples to latch onto.

O.D. (in)[mm]	Part Number	Lower Head Connection
2 [51]	3918-000-000	2"-6 Acme Box

